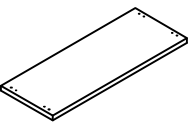
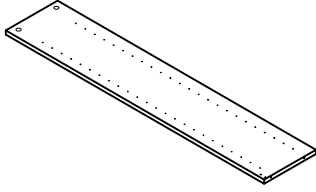
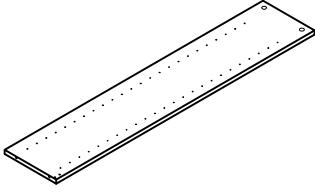

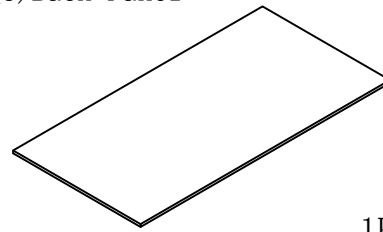
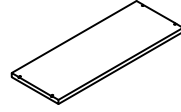
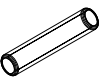
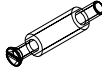
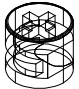
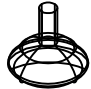




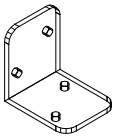
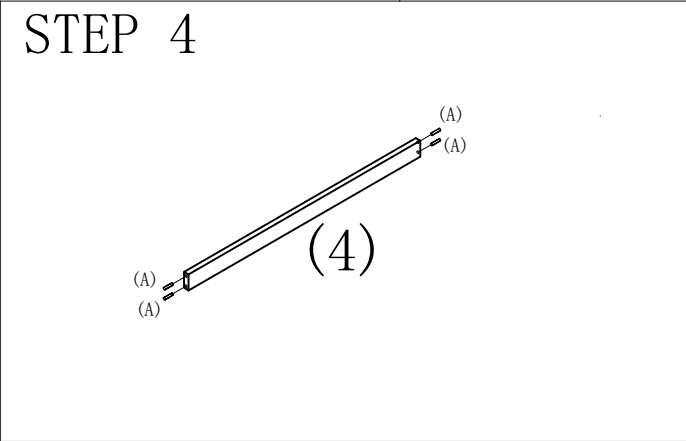
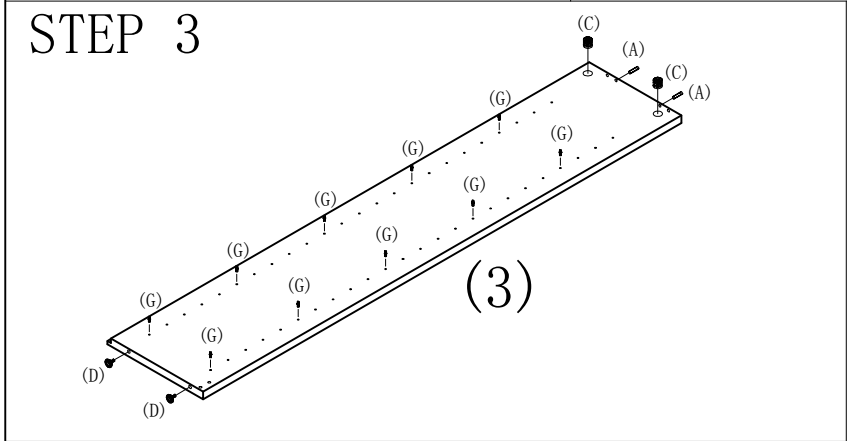
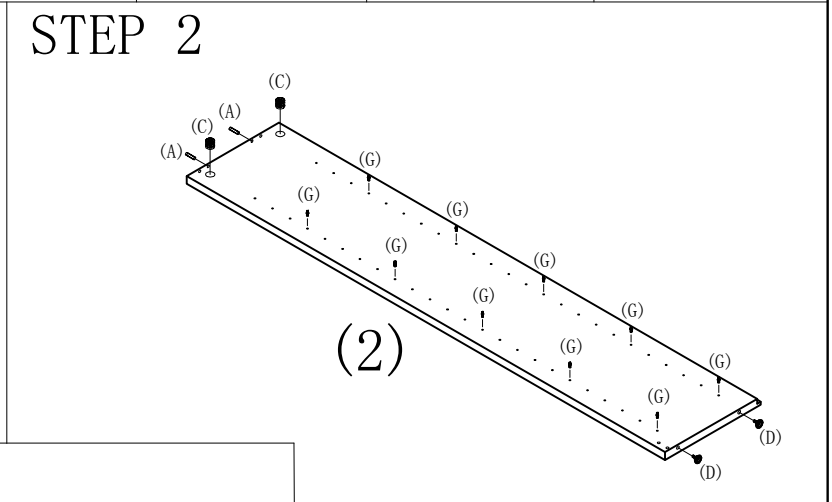
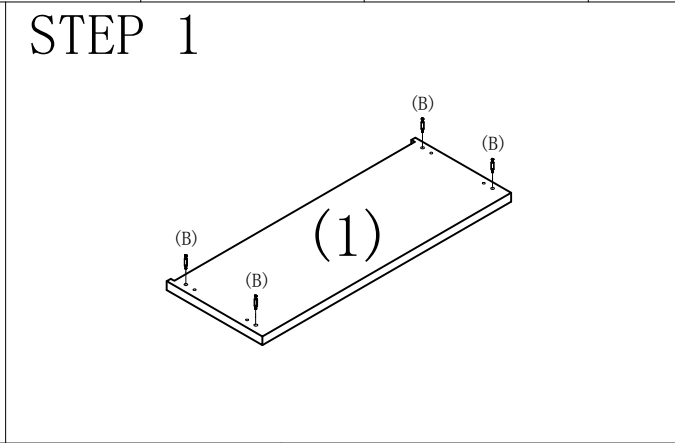
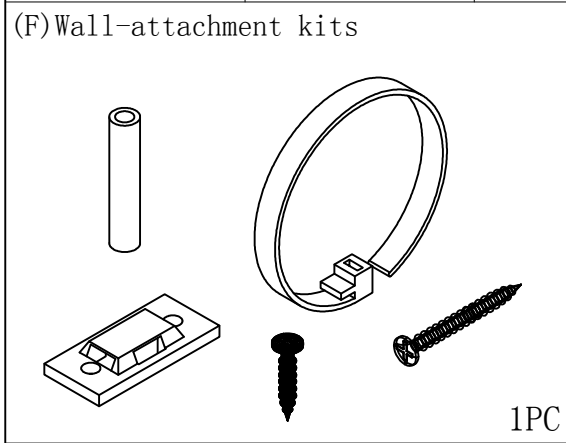



(1) Top  1PC	(2) End Panel  1PC	(3) End Panel  1PC	(4) Bottom Rail  1PC	(5) Back Panel  1PC	(6) Shelf  5PCS
---	---	--	---	--	--

(A) Dowel  8PCS+1	(B) Cam Pin  4PCS+1	(C) Cam Lock  4PCS+1	(D) Leg leveller  4PCS	(G) Shelf Pin  20PCS+2	(p) Adhesive Cam Cover  4PCS+1	(E3) Wood Screw  13PCS+1	(E4) Wood Screw  8PCS+1	(S1) Corner Bracket  2PCS
--	--	---	---	---	---	---	--	--

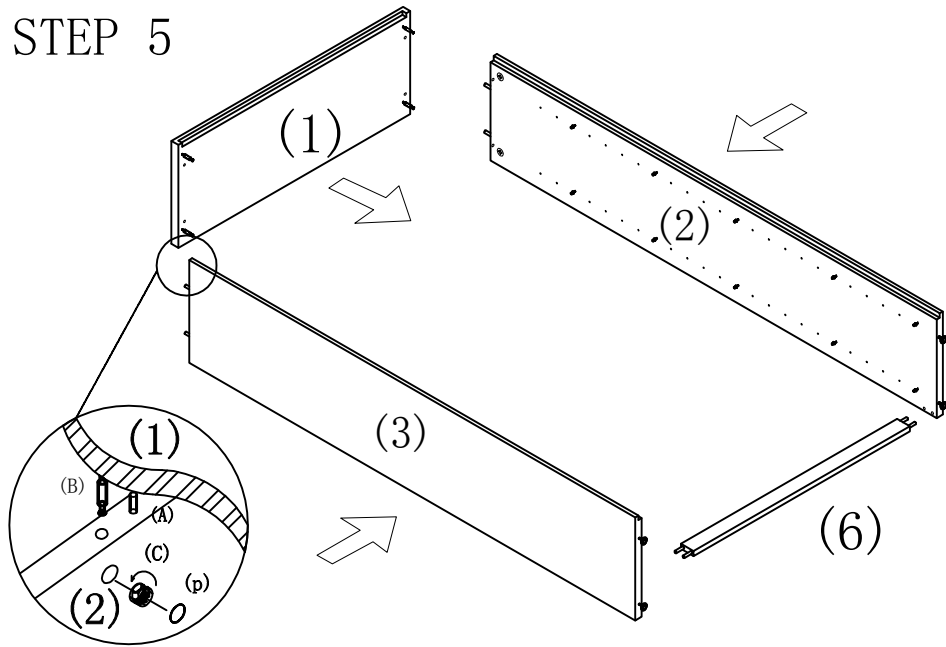


BOOKCASE 65" H  
**NAP-56**  
36" W × 14" D × 65" H

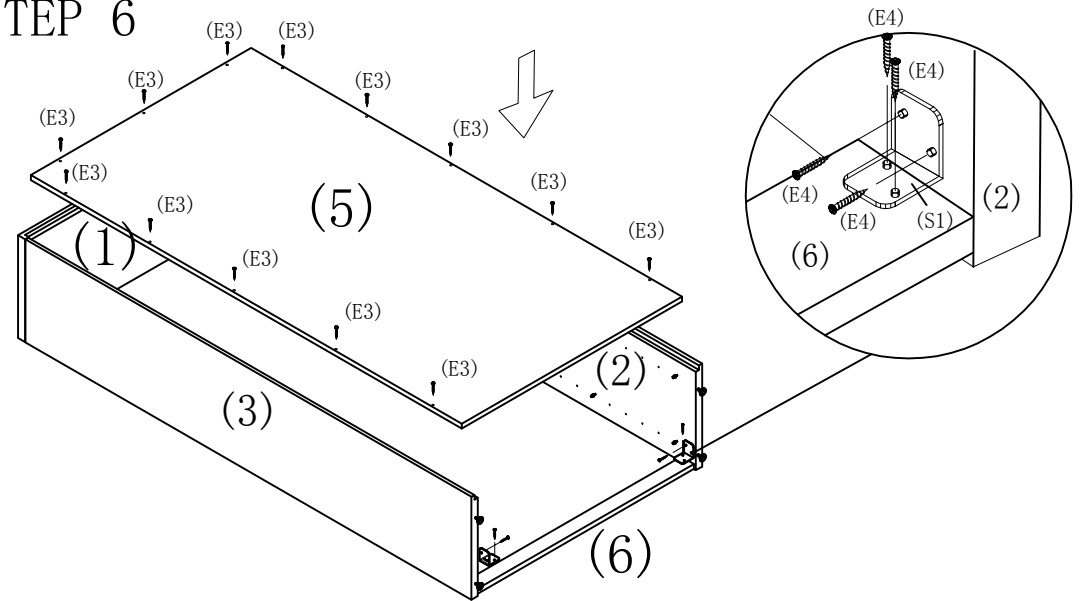


*Always lay components on A clean, soft-cushioned surface during assembly.*

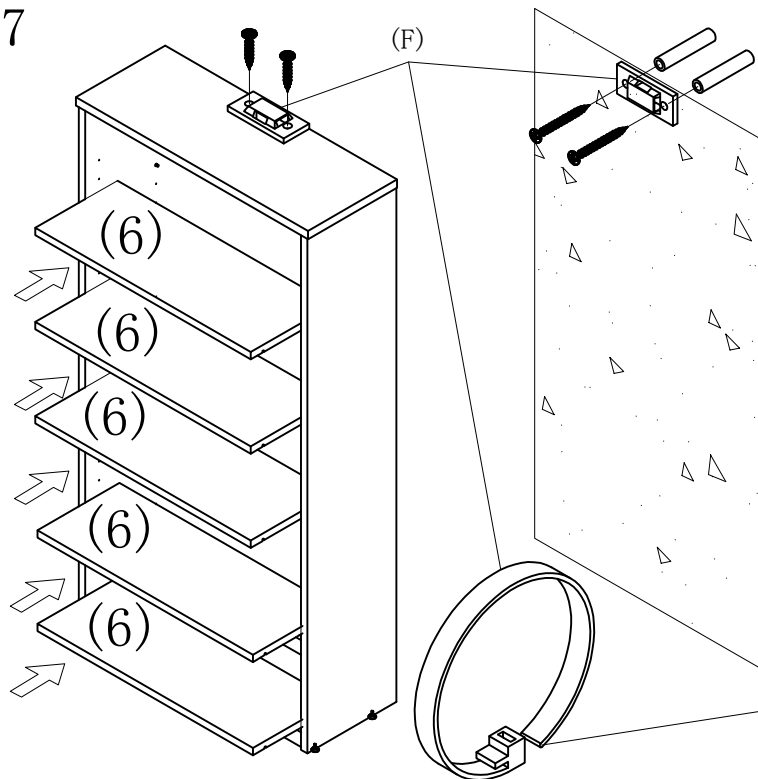
## STEP 5



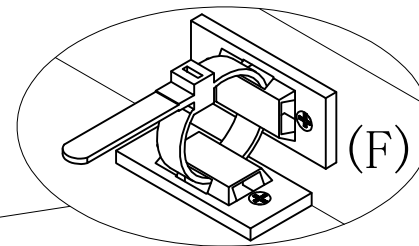
## STEP 6



## STEP 7



1. Affix 1st wall-attachment bracket to the top of Bookcase, at rear/center, using (2) **SHORT** screws.
2. Affix 2nd wall-attachment bracket to the wall, using (2) wall anchors and (2) **LONG** screws.  
**Note:** Locate the 2nd bracket 1/4" higher than the 1st bracket (now located on the top of the bookcase). Align 2nd bracket left/right with the 1st bracket.
3. Connect wall-attachment brackets with plastic cable tie.



BOOKCASE 65"H

**NAP-56**

36"W × 14"D × 65"H



*Always lay components on A clean, soft-cushioned surface during assembly.*