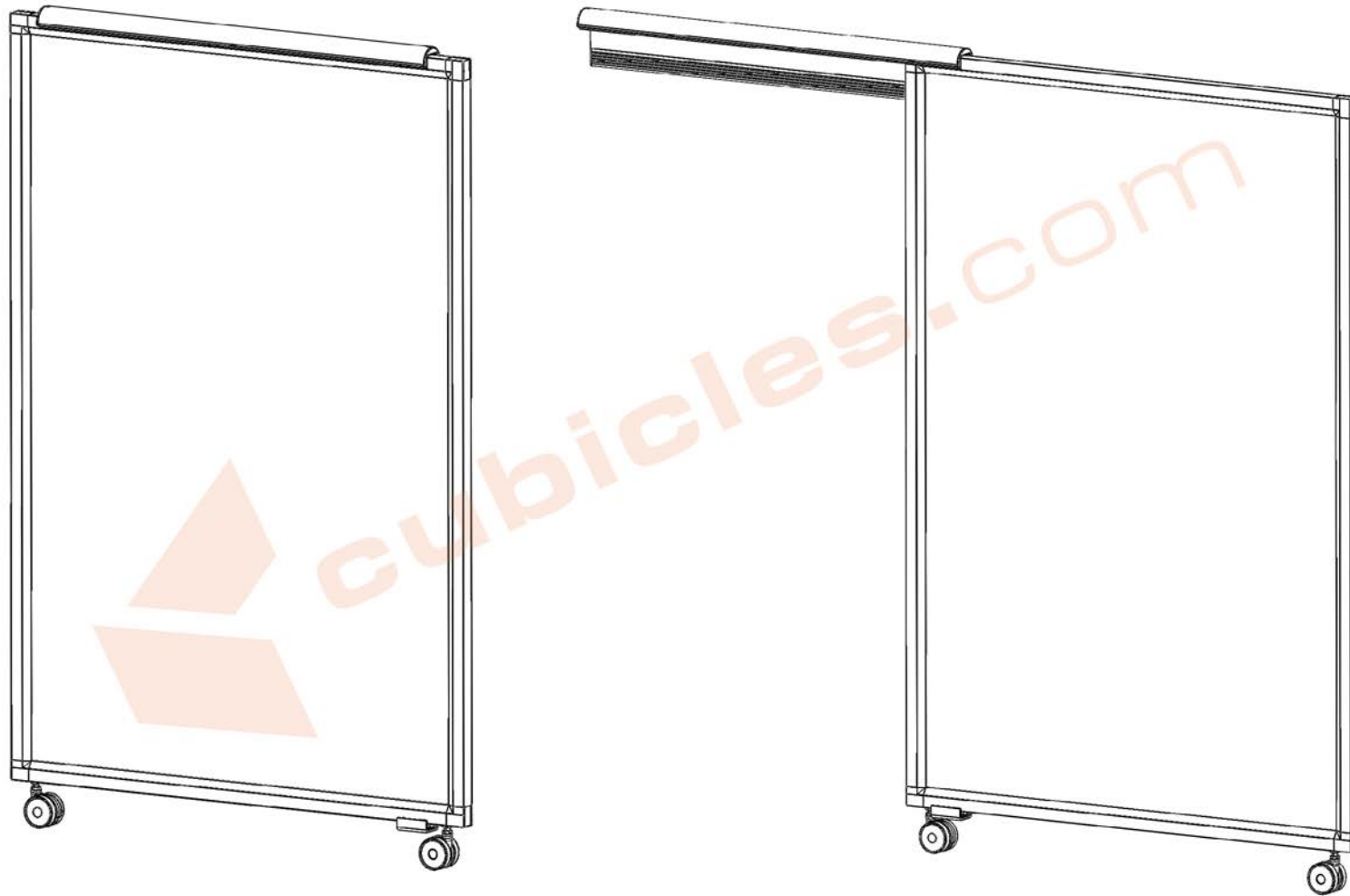

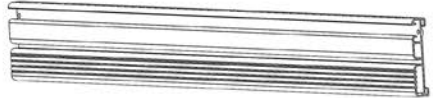

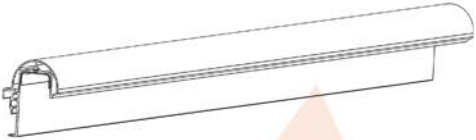






**SLIDING DOOR ASSEMBLY - Only Suitable for 53" & 67" High AO2 Panels with 36" Wide Openings**




# SLIDING DOOR ASSEMBLY - PART LIST

	PART DESCRIPTION	QTY
	Sliding Door Frame and glass	1
	36" Tool Rail Bar	1
	Tool Rail Bar Clips	2
	Door Track with Liner	1
	End Caps for Track	2
	Bottom Draw Block with Guide Attachment (L&R)	1
	3" Caster with 3/8-16 Stem and Serrated lock nut	2

*Tools Required*



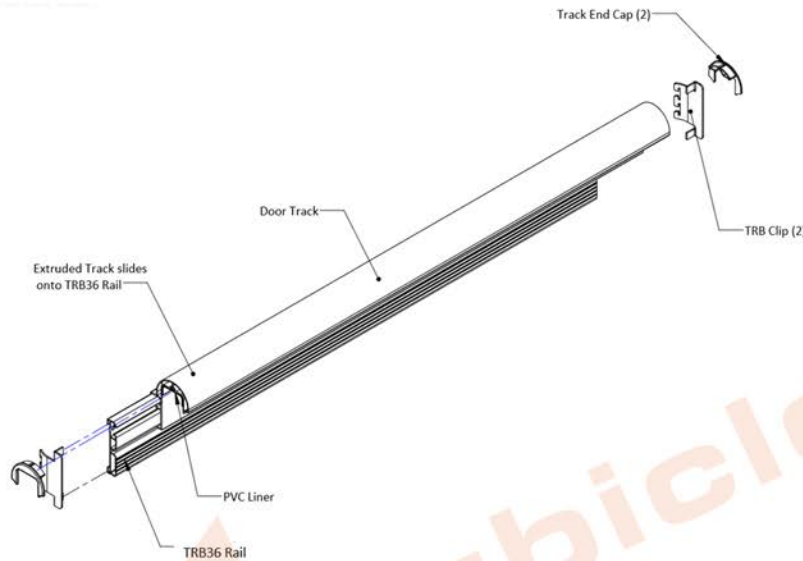
*Adjustable wrench*



*Level*

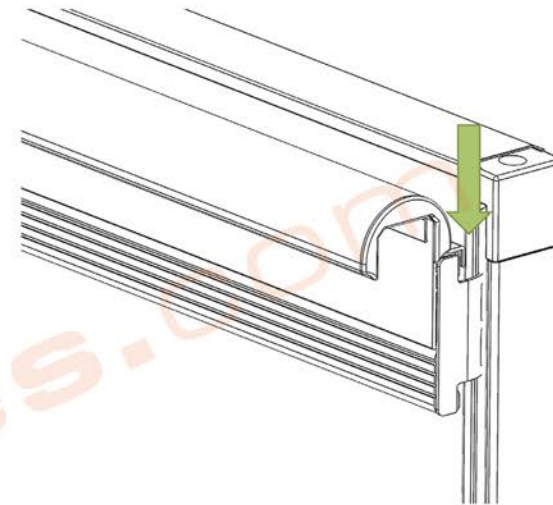
## Step 1

Assemble the Door Track. Slide the Track onto the TRB Rail. Attach the Track End Caps. Set the TRB clips into the TRB rail to mount the track to the A02 Panel.



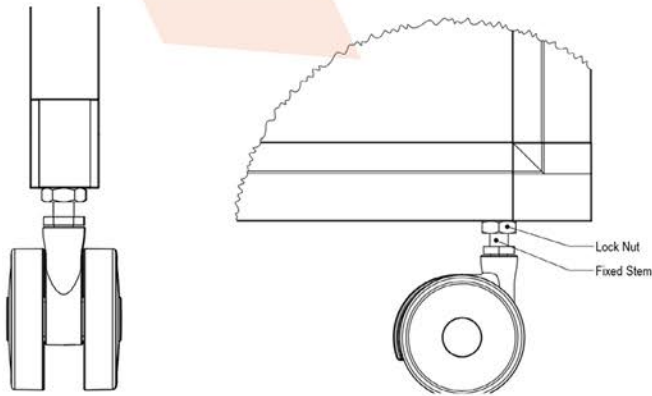
## Step 2

Set the TRB Clips and Track onto the highest slot position on the A02 Panel. Make sure the teeth engage in the rails by applying a downward force.



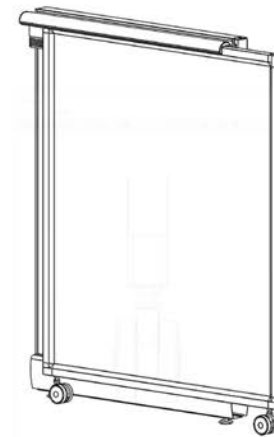
## Step 3

Layout the door and unbox the casters. Thread the caster stem into the bottom of the door, aligning the caster to roll parallel to the plane of the Panel (VERY IMPORTANT AS THIS KEEPS THE DOOR IN LINE WITH THE TRACK). Tighten the lock nut against the door frame to lock the caster position.



## Step 4

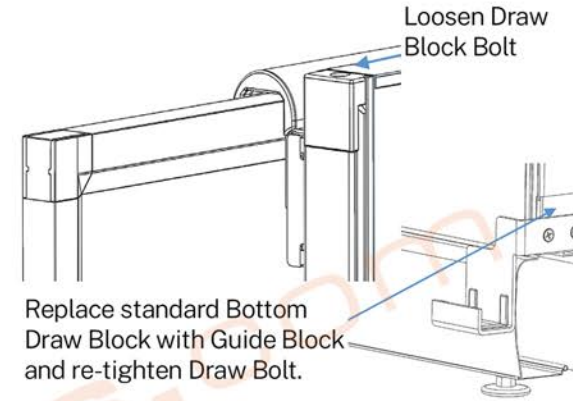
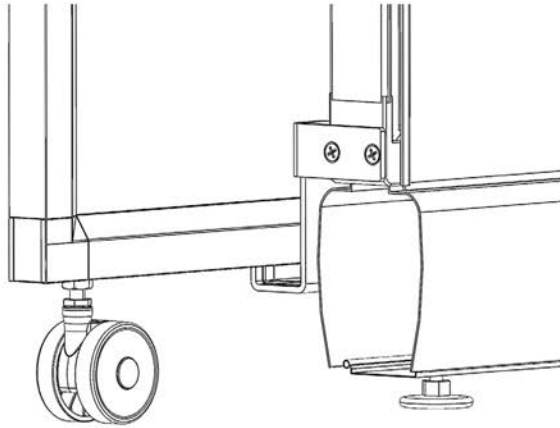
Stand the door up, positioned inside the track. Adjust the panel height to relieve any rubbing of the door to the track liner. Additional adjustment can be found in Step 6.





## Step 5

Replace the standard Bottom Draw Block with the Bottom Guide Assembly (L or R) by releasing the Top Draw Block at the top of the panel. Position the Guide Bracket under the Sliding Door, behind the front caster.



## Step 6

Check positioning, alignment, and level of the Sliding Door, ensuring the frame is not resting on the Guide Bracket. Adjust the panel height to lower or raise the guide. To level the door, or provide additional height adjustment, loosen the lock nut and turn in/turn out the caster stem. Tighten the Lock nut when desired caster height is set. Check the overall door position by extending and closing the door. There should be a smooth roll and minimal obstruction when rolling the door in or out.

