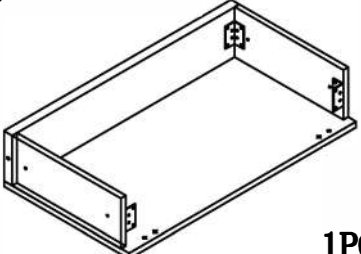
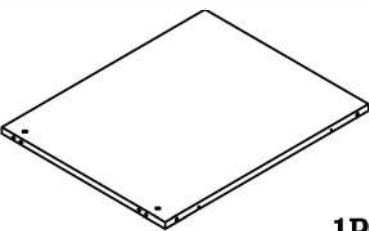
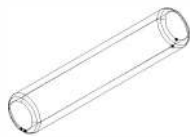
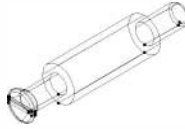
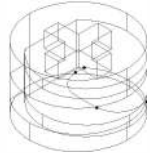
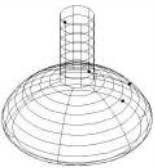



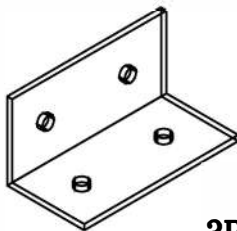
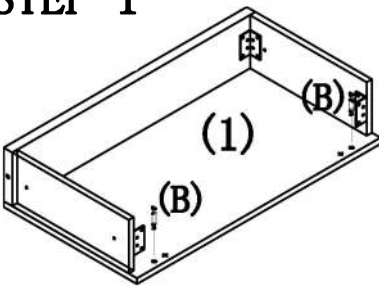
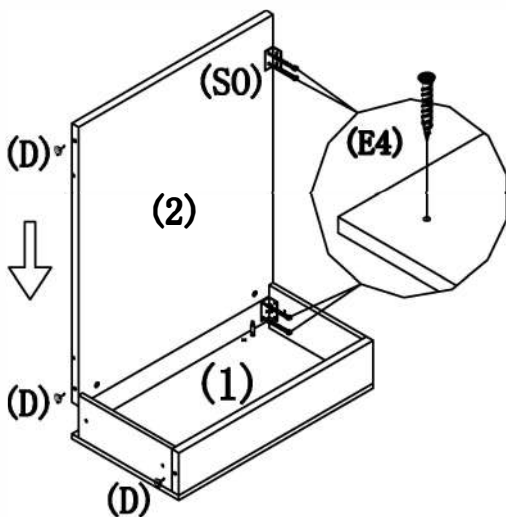
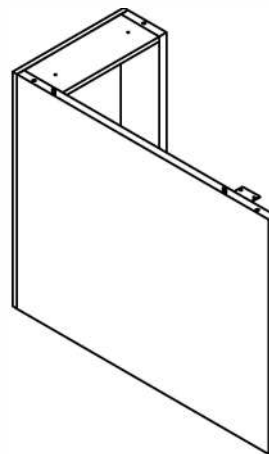
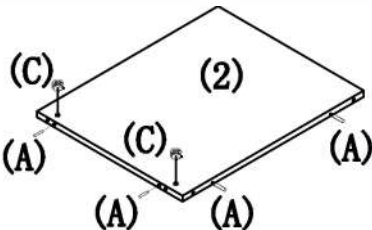



<p>(1) NAP-271-1</p>  <p>1PC</p>	<p>(2) NAP-271-2</p>  <p>1PC</p>	<p>(A) Dowel</p>  <p>4PCS</p>	<p>(B) Cam Pin</p>  <p>2PCS</p>	<p>(C) Cam Lock</p>  <p>2PCS+1</p>
<p>(D) Leg leveller</p>  <p>3PCS</p>	<p>(P) Adhesive Cam Cover</p>  <p>2PCS</p>	<p>(E4) Wood Screw</p>  <p>20PCS+1</p>	<p>(E9) Wood Screw</p>  <p>2PCS+1</p>	<p>(S0) Corner Bracket</p>  <p>3PCS</p>
<p>STEP 1</p> 	<p>STEP 3</p> 		<p>STEP 4</p> 	
<p>STEP 2</p> 	<p>FALSE PEDESTAL, 36" DEEP NAP-271 15"W*36"D*28"H</p>  <p><i>Always lay components on A clean, soft-cushioned surface during assembly.</i></p>			