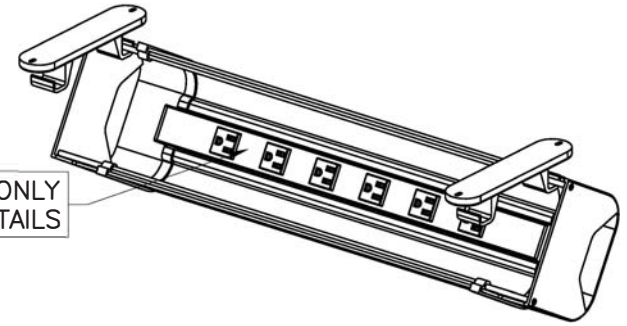
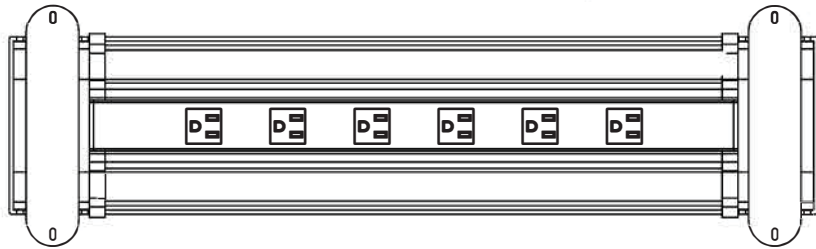


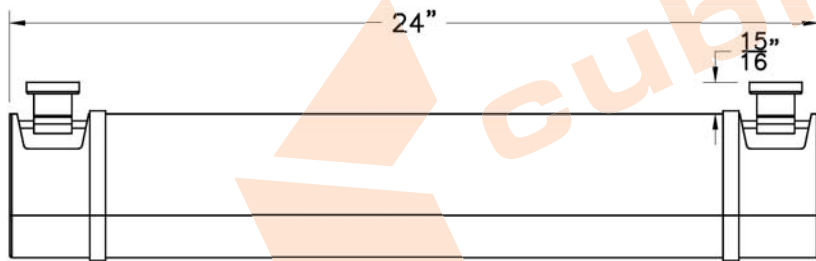
PLUGMOLD SHOWN HERE FOR REFERENCE ONLY
SEE PM-2 FOR PLUGMOLD DETAILS



ISOMETRIC VIEW

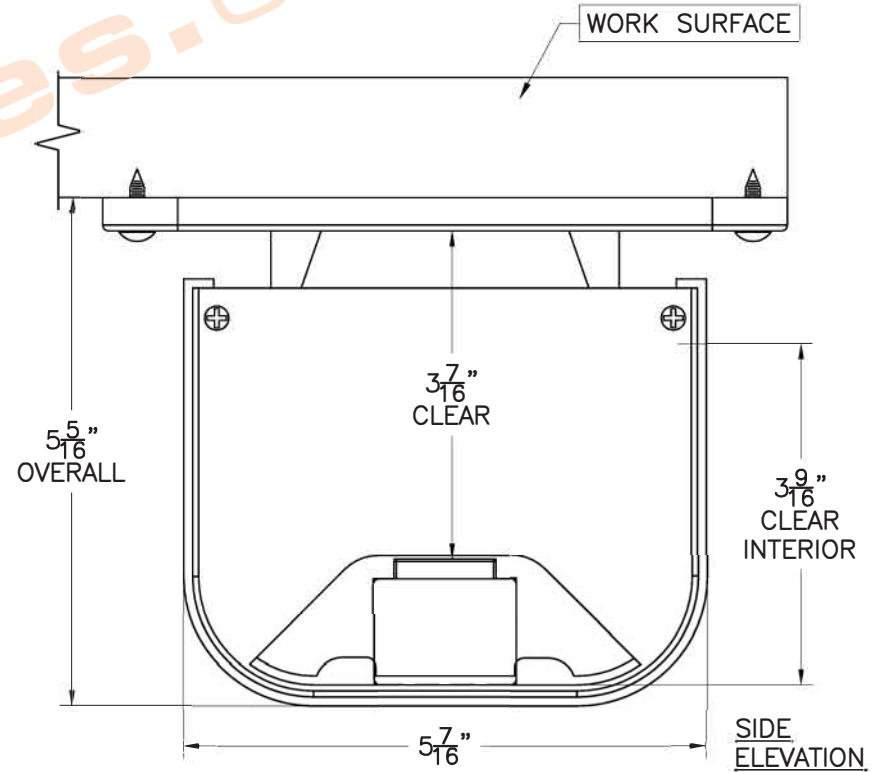


PLAN VIEW



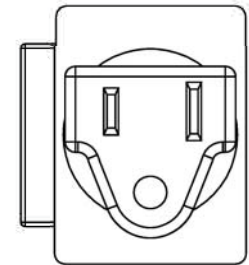
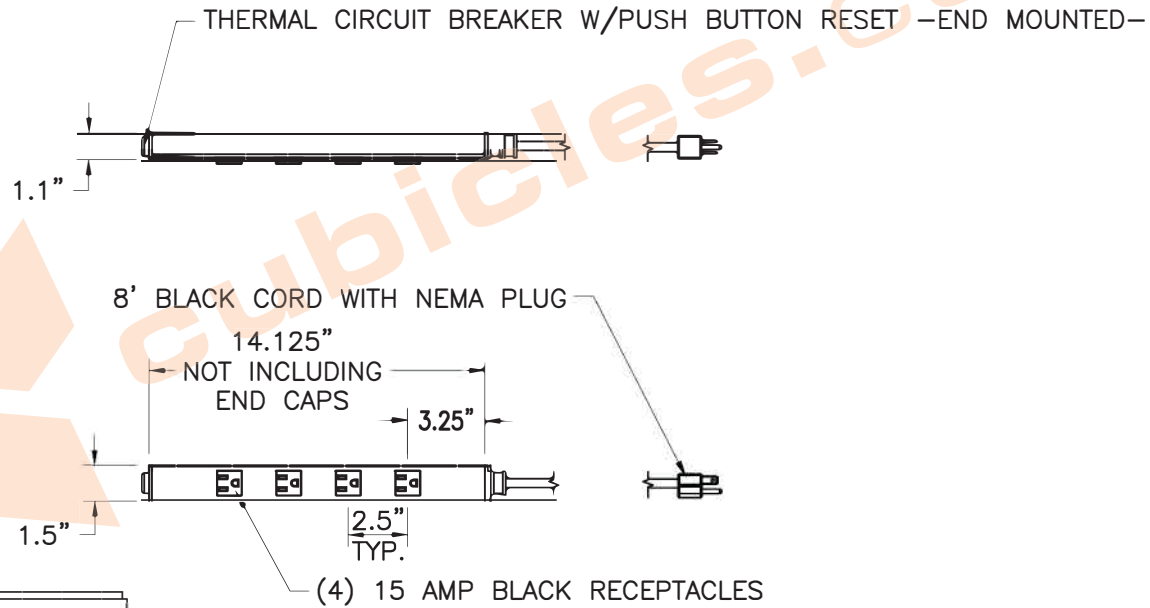
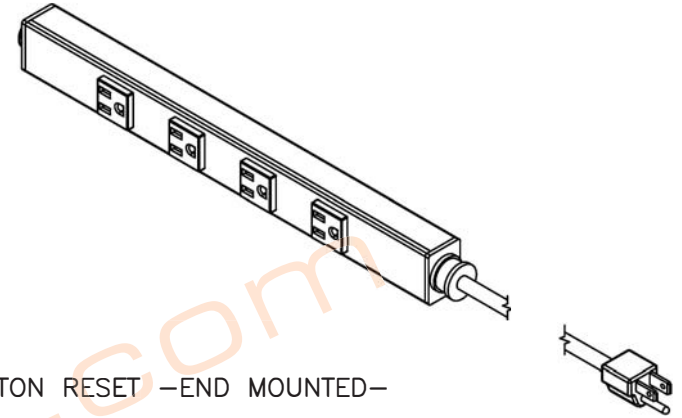
FRONT ELEVATION

FINISH:
BLACK PLASTIC



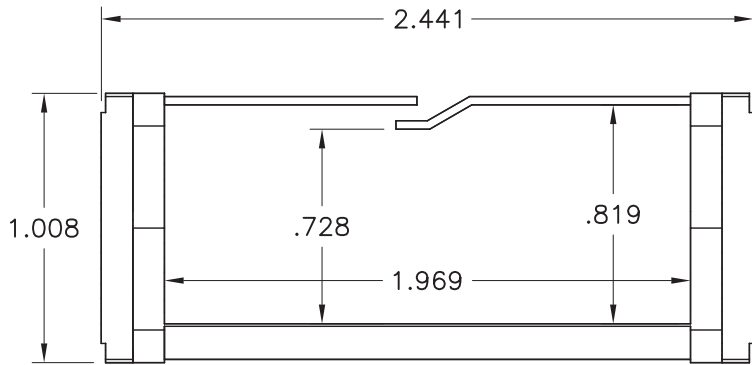
SIDE ELEVATION

MULTI-OUTLET PLUGMOLD SPECIFICATIONS			
MODEL	S/J CORD		
	14/3 STRANDED	12/3 STRANDED	
HD 15 AMP STRIP	X		

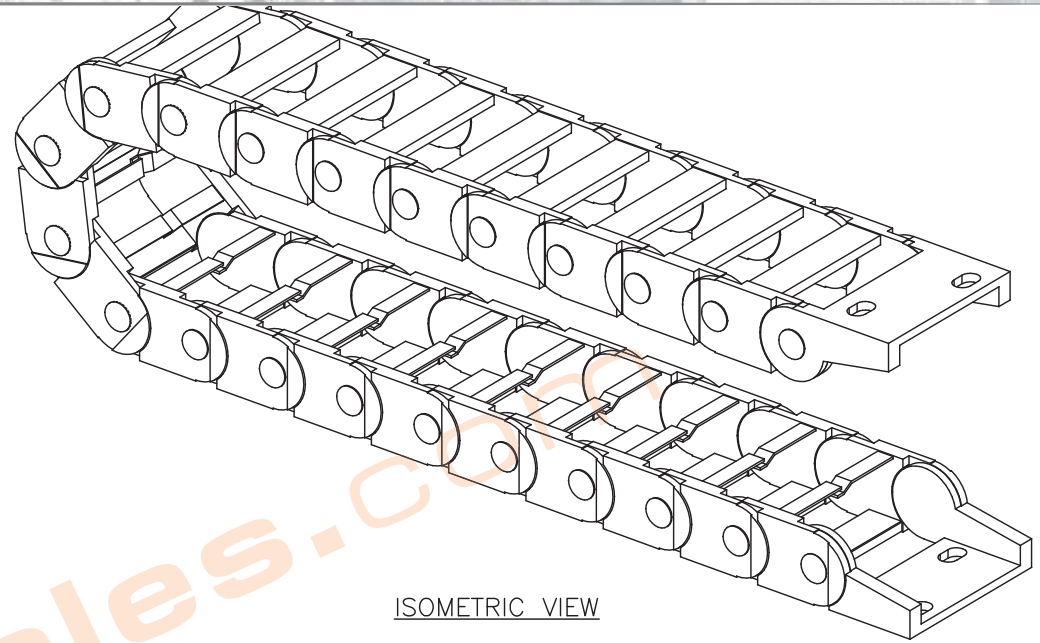


15 AMP
PLUG TYPE

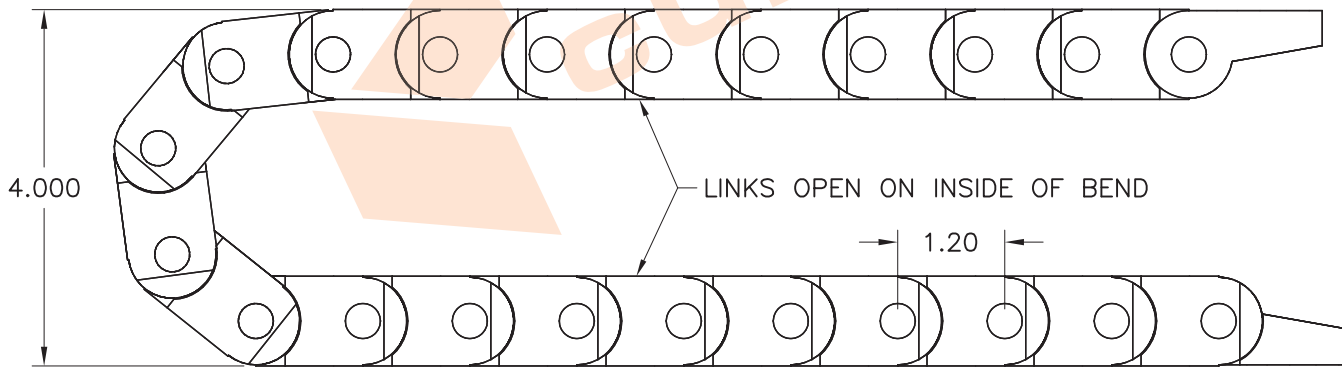
NOTE:
THIS STRIP ALONG WITH TWO MOUNTING CLIPS PER STRIP WILL BE PROVIDED AND INSTALLED BY LACOUR.



END VIEW OF CHAIN



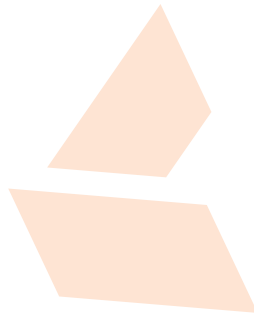
ISOMETRIC VIEW



SIDE VIEW

FINISH: BLACK PLASTIC

30 LINKS & 2 MOUNTING BRKTS
REQ'D FOR EACH ASSEM.



cubicles.com

SLEEVE LENGTHS: 3' FOR SD-1

FINISH OPTION:
BLACK



